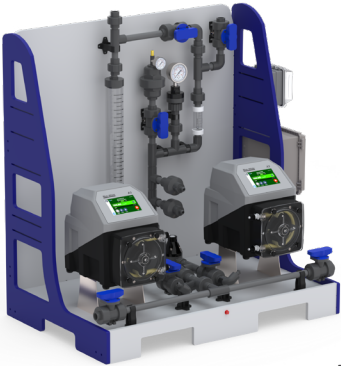


# CFCS-2

## CHEM-FEED® Compact Duplex Skid System



### Features

- > The pre-fabricated design allows for easy installation
- > Strong, lightweight polyethylene structure
- > Compact design fits into small spaces
- > Dual side inlets enable connection of multiple skids to the same inlet
- > Unions used for simple component replacement
- > Flow Indicator provides a visual indication of chemical movement
- > Built-in fluid containment

### Highlights

#### Piping

PVC Schedule 80  
(optional CPVC)

#### Pressure

150 PSI  
(10.3 bar)

#### Compatibility

A1/M1, A2/M2, A3/M3,  
A4/M4, C2/C3, CD1/  
MD1, CD3/MD3

#### Frame material

Polyethylene

#### Mounting position

Floor or wall

#### Warranty

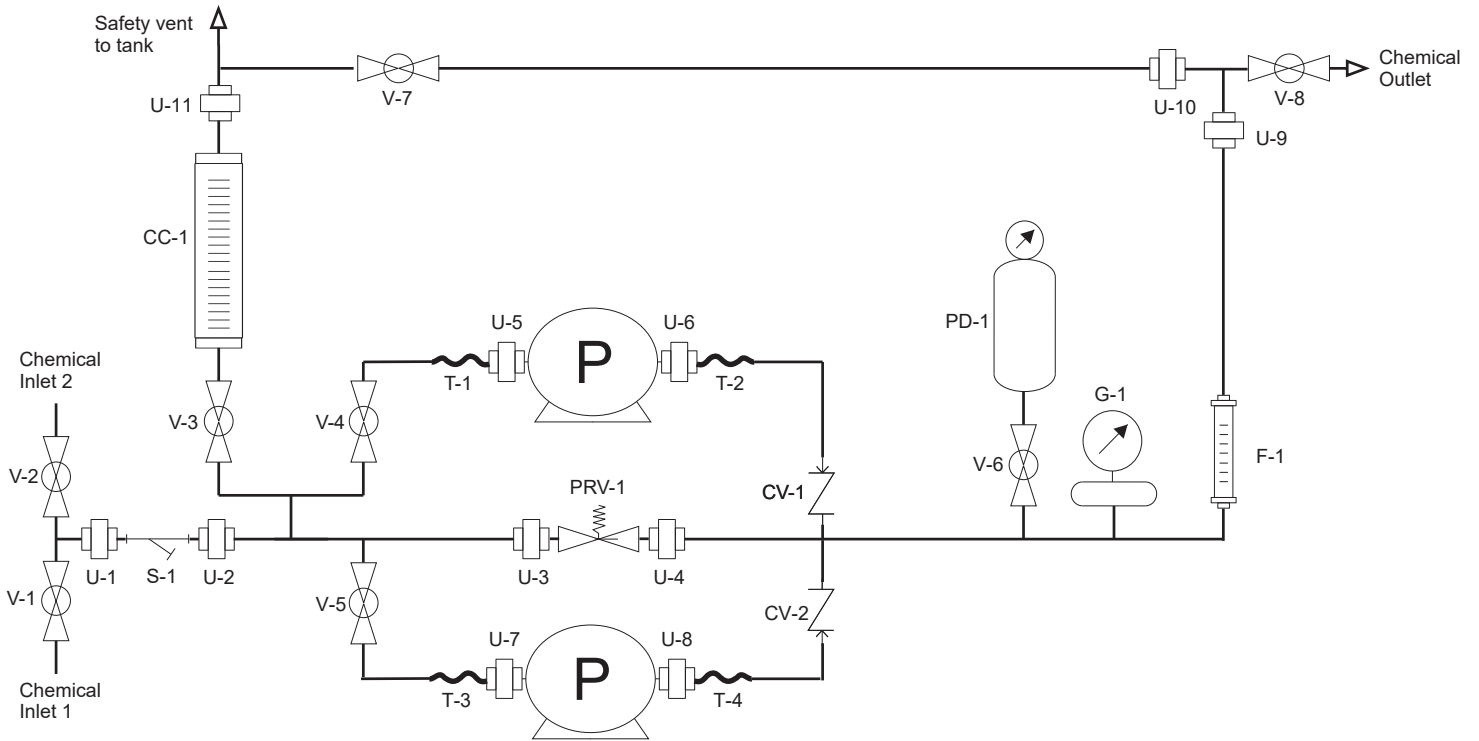
2 Years



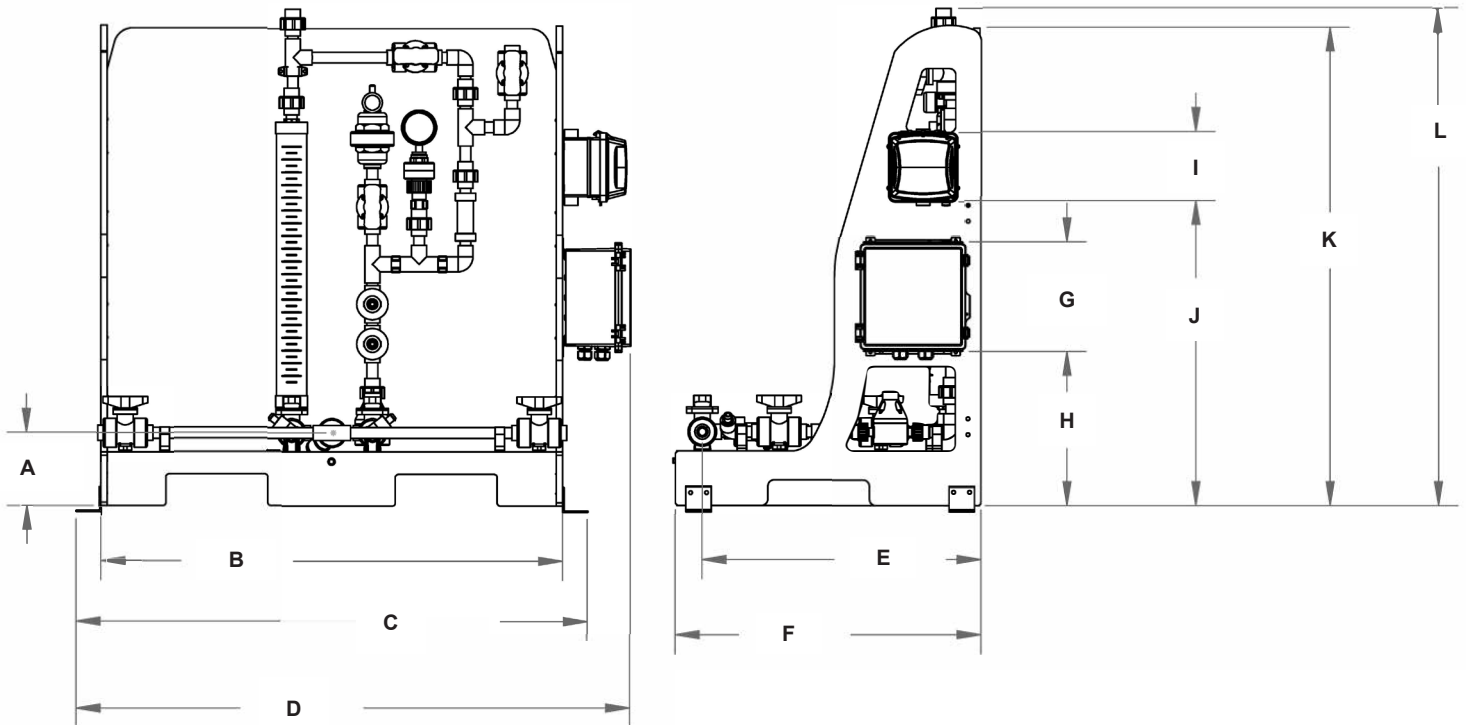
<b>Skid</b>	Chemically resistant polyethylene structure. Welded joint construction
<b>Pump (sold separately)</b>	FLEXFLO® A1/M1, M1/M2, A3/M3 or A4/M4 peristaltic pumps CHEM-FEED® CD1/MD1, C2, C3, or CD3/MD3 diaphragm pumps
<b>Piping</b>	PVC Schedule 80 (optional CPVC)
<b>Seals</b>	FKM (optional EPDM)
<b>Tubing (T)</b>	Reinforced braided 1/2" PVC, 200 psi max, certified NSF 51 / NSF 61, or 1/2" PTFE, or 1/4" PE, or 1/4" PTFE. The pump inlet and outlet flexible tubing connections are terminated base on type of pump provided. Refer to Adapter Kits sheet 85000-198.
<b>Tubing Clamps</b>	300 series SS band, 400 series SS screw
<b>Unions (U)</b>	PVC body, schedule 80 (CPVC optional)
<b>Ball Valves (V)</b>	Vented ball, True unions, PVC body, PTFE shaft bearings and seats (CPVC optional)
<b>Pressure Relief Valve (PRV)</b>	PVC body, PTFE primary diaphragm seal. Non-wetted components: EPDM secondary seal, zinc plated steel spring, stainless steel external hardware, HDPE pressure adjusting screw and locknut. Infinite adjustment from 10-150 psi. Maximum inlet pressure 150 psi. (CPVC optional)
<b>Calibration Cylinder (CC)</b>	PVC body, PVC end caps, 1/2" ID PVC pipe outlet vent. Available volumes: 3 GPH (100ml), 8 GPH (250ml), 16 GPH (500ml), 32 GPH (1000ml). 64 GPH (2000ml). (Glass optional - except 2000ml)
<b>Pulsation Dampener (PD)</b>	CPVC body, 10 cubic inch volume, FKM bladder (optional EPDM bladder)
<b>Gauge W/Guard (G)</b>	Gauge: liquid filled stainless steel with blowout plug, bottom mount, 1/4" NPT threads. Available pressure ranges: 0-30 psi, 0-100, psi, 0-200 psi. Guard: PVC body w/union, PTFE diaphragm seal, temperature compensated oil filled.
<b>Check Valve (CV)</b>	PVC body, FKM diaphragm (optional EPDM). Cracking pressure: 1.0-1.5 psi. Maximum working pressure: inlet = 150 psi, back = 100 psi. (CPVC optional)
<b>Flow Indicator (F)</b>	Machined cast acrylic, PVC or CPVC connections, ceramic ball, PVDF ball stop, Polypro half unions.
<b>Y Strainer (S)</b>	PVC body (CPVC optional)
<b>Universal Mounting Blocks</b>	PA12
<b>Pump Extended Mounting Brackets (not included)</b>	316 Stainless Steel
<b>Skid Mounting Foot Pads</b>	316 Stainless Steel
<b>Mounting Hardware</b>	18-8 Stainless Steel
<b>Drip Containment</b>	Integral - 1" deep - 2.8 gallons ( 10.6 L) total containment
<b>Maximum Working Pressure</b>	150 psig (10.3 bar)
<b>Operating Temperature</b>	14 °F to 115 °F (-10 °C to 46 °C)
<b>Approximate Shipping Weight</b>	125 lb. (56.7 Kg)

# Piping and Instrumentation Diagrams

CFCS-2



## Dimensions



Dim	Inch	cm	Dim	Inch	cm	Dim	Inch	cm
A	5.75"	14.60	E	21.89"	55.60	I	5.42"	13.77
B	32.25"	92.10	F	24.00"	61.00	J	23.92"	60.76
C	40.13"	101.90	G	8.59"	21.80	K	37.53"	95.33
D	43.49"	110.05	H	12.10"	30.70	L	39.05"	99.20

# Model Number Matrix

CFCS-2

## CHEM-FEED® Compact Skid System Matrix - Duplex

**CFCS-2** **X** Dual pump system - single chemical / single outlet - PE structure

### Inlet/Outlet

<b>A</b>	Single Inlet / Single Outlet
<b>X</b>	None, Skid Panel Only

### Piping/Unions

<b>A</b>	PVC	<b>B</b>	CPVC
----------	-----	----------	------

### Seals

<b>V</b>	FKM	<b>E</b>	EPDM
----------	-----	----------	------

### Tubing Connections (Verify tubing connection matches pump outlet when ordering)

<b>A</b>	1/2" ID PVC Braided	<b>B</b>	1/2" ID PTFE	<b>C</b>	1/4" ID PE	<b>D</b>	1/4" ID PTFE
----------	------------------------	----------	-----------------	----------	---------------	----------	-----------------

### Calibration Column

<b>B</b>	64 GPH (2000 mL) PVC	<b>P</b>	32 GPH (1000 mL) Glass
<b>C</b>	32 GPH (1000 mL) PVC	<b>Q</b>	16 GPH (500 mL) Glass
<b>D</b>	16 GPH (500 mL) PVC	<b>R</b>	6 GPH (200 mL) Glass
<b>E</b>	8 GPH (250 mL) PVC	<b>S</b>	3 GPH (100 mL) Glass
<b>F</b>	3 GPH (100 mL) PVC		

### Pulsation Dampener

<b>P</b>	10 cubic in	<b>X</b>	Not Included
<b>X</b>	Not Used		

### Pressure Gauge w/Guard

<b>A</b>	200 PSI	<b>B</b>	100 PSI	<b>C</b>	30 PSI
<b>X</b>	Not Used				
<b>X</b>	Not Used				

### Terminal Box

<b>TA</b>	S Series Pumps	<b>TC</b>	A2/M2/C2/C3
<b>TB</b>	1 Series Pumps	<b>X</b>	Not Included

### Pumps

<b>P</b>	Mounted*	<b>X</b>	Not Included
----------	----------	----------	--------------

\*reference Adapter Kits Sheet 85000-198 when ordering with pumps utilizing "M = 1/2"MNPT" or "F = 1/2"FNPT" connections.

**CFCS-2** **X** **A** **A** **V** **A** **-** **B** **P** **X** **A** **X** **X** **TA** **P** **Sample Model Number**

**NOTE:** When ordering pumps for Duplex CFCS-2 skids, pump head orientation is standard LEFT facing for the right side pump, and RIGHT facing for the left side pump. All skids are pressure tested prior to shipment. Pumps are purchased and shipped separately. Contact factory for quote/pricing on 5-point performance testing.

**Customer is responsible for ensuring skid components are compatible with any chemicals being used.**

**NOTE:** All skid systems ship with the following in/out union connections: 1/2" slip glue (material same as skid piping.)