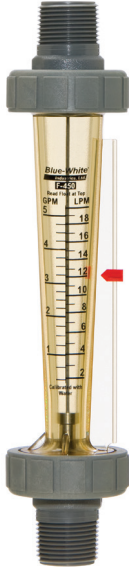


F-450

Variable Area Flow Meter



Features

- > Polysulfone body resists high temperatures and pressures
- > In-line or panel mount configurations available
- > Indoor use only
- > Full scale accuracy +/- 4%
- > 316SS float & guide-wire

Highlights

Flow range

0.1 - 10 GPM
0.4 - 40 LPM

Pressures up to

175 PSI
(12 bar)

Max. fluid temp.

212 °F
100 °C

Body

Polysulfone

Adapters

3/8" - 3/4" M/NPT
(Inline & panel mount)

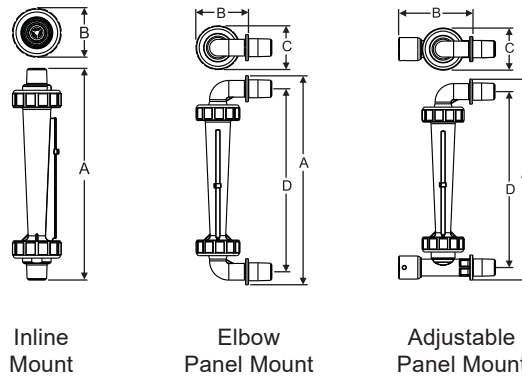
Warranty

1 Year



Maximum Working Pressure	175 PSI (12 bar) @ 70 °F (21°C)
Maximum Fluid Temperature	212 °F (100 °C) @ 0 PSI
Full Scale Accuracy	+/- 4%
Calibration Fluid	Water, specific gravity 1.0
Scale Length	4" (100mm) approx.
Environment	Not for direct sunlight exposure
Maximum Pressure Drop	2 PSI
Approximate Shipping Weight	0.5 lb. (.23 kg)

Dimensions



	Model No.	A	B	C	D
Inline	F-45375L	8-7/8" (225.5mm)	1-3/4" (44.4mm)	N/A	N/A
	F-45376L				
	F-45500L				
	F-45750L	10" (254mm)	2" (51mm)	N/A	N/A
Elbow	F-45375E	9-7/8" (250.8mm)	3-1/2" (88mm)	2" (51mm)	9-1/8" (233mm)
	F-45376E				
	F-45500E				
	F-45750E	10" (254mm)	3-1/2" (88mm)	2" (51mm)	9-1/8" (233mm)
Adjustable	F-45375A	9-7/8" (250.8mm)	5" (127mm)	2" (51mm)	8-9/16" (217.5mm)
	F-45376A				
	F-45500A				
	F-45750A	10" (254mm)	5" (127mm)	2" (51mm)	9-1/8" (231.8mm)

Non-wetted Components:

Union Nuts	Nylon
-------------------	-------

Wetted Components:

Meter Body	Polysulfone
-------------------	-------------

Adapters	Polysulfone M/NPT, Polypro F/NPT
-----------------	----------------------------------

Guide Rod Holder	Polysulfone
-------------------------	-------------

O-ring Seals	Viton (optional EP)
---------------------	---------------------

Float	316SS or PTFE (varies per model)
--------------	----------------------------------

Guide Rod	316SS
------------------	-------

Output Specifications

Model	Feed Rate		Max Pressure	Max Temp.	Float Material
	GPM	LPM	PSI (bar)	°F (°C)	
F-45375L	0.1–1.0	0.4–4.0	175 (12)	212 (100)	PTFE
F-45376L	0.2–2.0	1.0–7.5	175 (12)	212 (100)	316ss
F-45500L	0.5–5.0	2.0–20.0	175 (12)	212 (100)	316ss
F-45750L	1.0–10.0	4.0–40.0	175 (12)	212 (100)	316ss

Model Number Matrix

F-450 Model Number

F	Flow Meter						
Series							
	45	F-450 Polysulfone body					
Scale							
	375	0.1 - 1.0 gpm (0.4 - 4.0 lpm) Teflon float					
	376	0.2 - 2.0 gpm (1.0 - 7.5 lpm) 316ss Float					
	500	0.5 - 5.0 gpm (2.0 - 20 lpm) 316ss Float					
	750	1.0 - 10 gpm (4.0 - 40 lpm) 316ss Float					
Guide-wire material							
	L	316 Stainless steel rod					
Installation							
	(Blank)	In-Line model					
	E	Panel mount model (6, 8 and 12 adapter options only)					
	A	Adjustable panel mount model (6, 8 and 12 adapter options only)					
Adapter							
	6	0.375" Female NPT polypropylene adapter & polysulfone union (0.375" Male NPT adapters for panel mount models)					
	8	0.50" Male NPT polysulfone adapter & union (in-line & panel mount models)					
	12	0.75" Male NPT polysulfone adapter & union (in-line & panel mount models)					
O-Rings							
	(Blank)	Viton					
	-22Q	EP					
F	-	45	375	L	-	6	Sample Model Number

*In-house NIST Calibration, OEM packaging and silicone oil free options are also available.